

CHANGZHOU XINGGAN DRYING EQUIPMENT CO.,LTD

Tel: +86-519-88900188 Mobile: +8618661216636

Wechat: zlx635771893 E-mail: franklxz@xggz.com

Web: <https://www.stardrying.com/>

ZPG Series Vacuum Rake Dryer



Description

ZPG vacuum rake dryer uses large areas of layers to do heat, thus enable large heat transfer area and high thermal efficiency. Stirring is set so that the materials in the barrel form a state of continuous circulation, further improving the uniformity of the material being heated, allowing smooth drying of pasty, creamy and mushy materials.

Application

- 1、 In industries of medicine, food and chemical, it is used to dry following materials.
- 2、 Applied in pasty and powdery materials.
- 3、 Heat-sensitive materials requiring low-temperature drying.
- 4、 Easily oxidized, explosive, strong-irritant and highly-toxic materials.

Features

- 1、 This machine uses large areas of layers to do heat, thus enable large heat transfer area and high thermal efficiency.
- 2、 Stirring is set so that the materials in the barrel form a state of continuous circulation, further improving the uniformity of the material being heated.
- 3、 Stirring is set, allowing smooth drying of pasty, creamy and mushy materials.

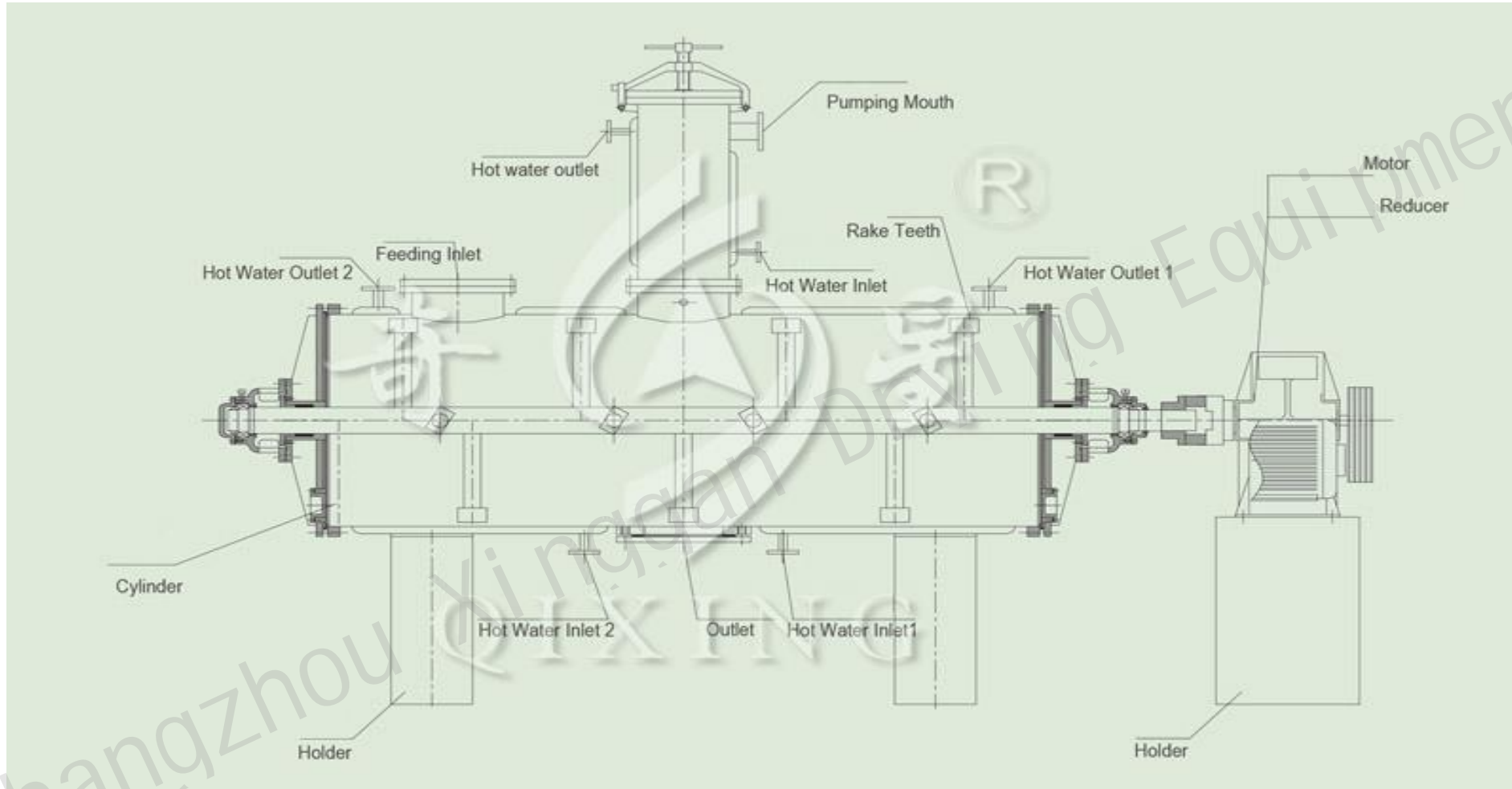
Working Principle

ZPG vacuum rake dryer is a new kind of horizontal batch vacuum drying equipment. The wet materials experience conduction and evaporation. Blade stirrer continuously removes materials from hot surface, and develops a recycle stream in the container. After evaporation, the water is withdrawn from the vacuum pump.

TECHNICAL PARAMETERS

Item/Model	ZPG-500	ZPG-750	ZPG-1000	ZPG-1500	ZPG-2000	ZPG-3000
Working Volume (L)	300	450	600	900	1200	1800
Heating Area (m ²)	6	7.6	9.3	12.3	14.6	19.3
Stirring Revolution (rpm)	6-30 Stepless Speed Regulation					
Power (kw)	4	5.5	5.5	7.5	11	15
Design pressure of Jacket (Hot Water))	≤0.3					
Vacuum Degree(Inside Cylinder)	-0.09~-0.096					

More Photos





LTD

CO

nggan

Drilling Equipment